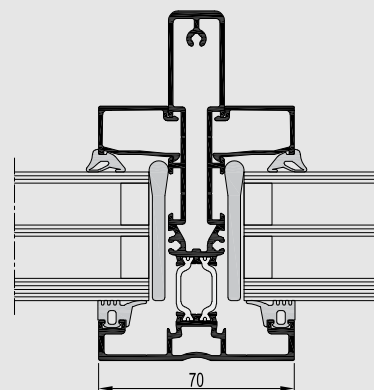
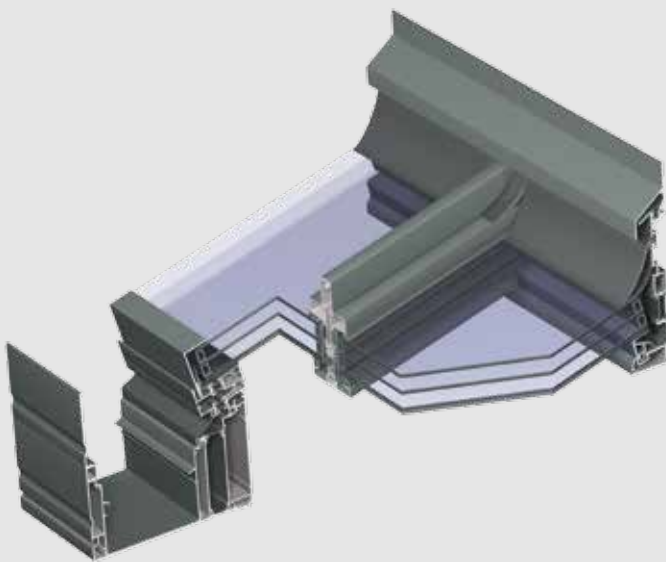




TR 200

Enjoy the sun



Thermo Roof 200 is a thermally insulated conservatory system offering a broad range of roof configurations. Depending on the design of the conservatory, the structure of the roof can be optimised to perfectly fit your needs. The interior of the roof structure has a minimalistic look. The gutters however, are available in three variants to match your style perfectly; Renaissance, Functional and Ellipse.





Furthermore, the conservatory system allows the integration of flush roof vents for ventilation, which can be electrically operated if desired. Anticipating any thermal requirements, the unique glazing concept of the system makes it perfectly suitable for triple glazing. TR 200 provides rafters which are not only able to carry the weight of the triple glazing but also to withstand the weight of snow load.



TECHNICAL CHARACTERISTICS

	DOUBLE GLAZING	TRIPLE GLAZING
		
Overall system depth of rafter	inside: 18 mm outside: 23 - 58 mm	inside: 14.5 mm outside: 38 mm
Style variants	Functional / Renaissance / Ellipse	Functional / Renaissance / Ellipse
Min. visible width of rafter	70 - 99 - 128 mm	70 - 99 - 128 mm
Slope	5° - 45°	5° - 45°
Construction options	Hip and valley	Hip
Glass thickness	6-40 mm	30-62 mm
Glazing method	dry glazing with EPDM or neutral silicones	dry glazing with EPDM or neutral silicones
Thermal insulation	14 and 18.6 mm fibreglass reinforced polyamide strips	23 mm fibreglass reinforced polyamide strips

PERFORMANCES

ENERGY												
	Thermal Insulation ⁽¹⁾ EN ISO 10077-2	U-value rafter down to 1.8 W/m ² K For specific calculation per profile combination: please contact your Reynaers Aluminium fabricator.										
COMFORT												
	Air tightness, max. test pressure ⁽²⁾ EN 1026; EN 12207	1 (150 Pa)		2 (300 Pa)		3 (600 Pa)		4 (600 Pa)				
	Water tightness ⁽³⁾ EN 1027; EN 12208	1A (0 Pa)	2A (50 Pa)	3A (100 Pa)	4A (150 Pa)	5A (200 Pa)	6A (250 Pa)	7A (300 Pa)	8A (450 Pa)	9A (600 Pa)	E (900 Pa)	
	Wind load resistance, max. test pressure ⁽⁴⁾ EN 12211; EN 12210	1 (400 Pa)		2 (800 Pa)		3 (1200 Pa)		4 (1600 Pa)		5 (2000 Pa)		Exxx (> 2000 Pa)

This table shows possible classes and values of performances. The values indicated in red are the ones relevant to this system.

- (1) The insulation value (U-value) measures the heat flow. The lower the Uf-value, the better the thermal insulation of the profile section.
- (2) The air tightness test measures the volume of air that would pass through an element at a certain air pressure.
- (3) The water tightness testing involves applying a uniform water spray at increasing air pressure until water penetrates the conservatory.
- (4) The wind load resistance is a measure of the profile's structural strength and is tested by applying increasing levels of air pressure to simulate the wind force. There are up to five levels of wind resistance (1 to 5) and three deflection classes (A,B,C). The higher the number, the better the performance.



REYNAERS ALUMINIUM NV/SA • www.reynaers.com • info@reynaers.com
12/2013 - OH0.62C2.00 - Publisher Responsible at Law: E. Fonteyne, Oude Liersebaan 266, B-2570 Duffel

